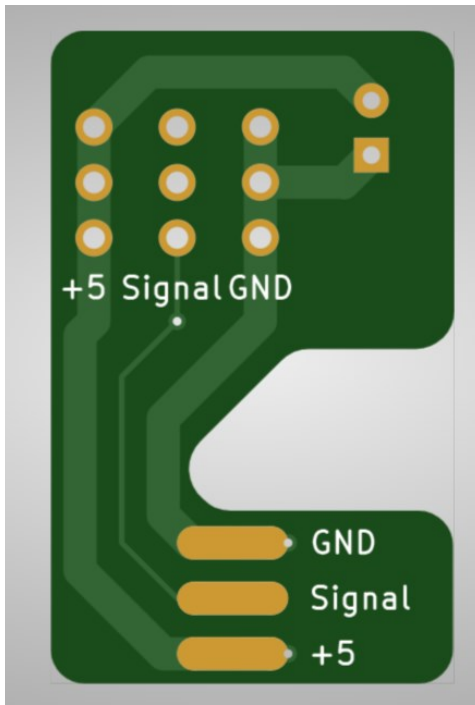
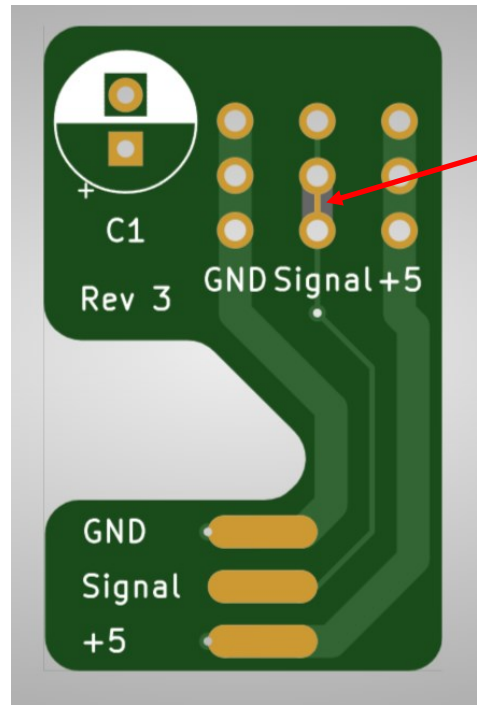


# Back



# Front



Cuttable trace for adding a resistor to reduce ringing

$\Delta T$ ( $^{\circ}C$ )	Max current (A)
10	3.21
20	4.35
30	5.20